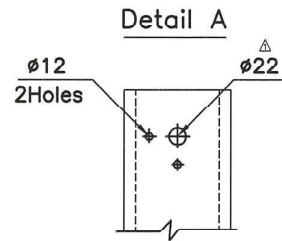
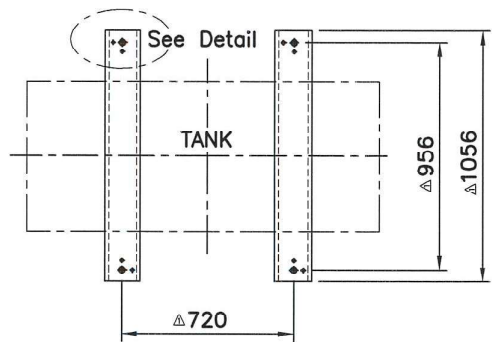
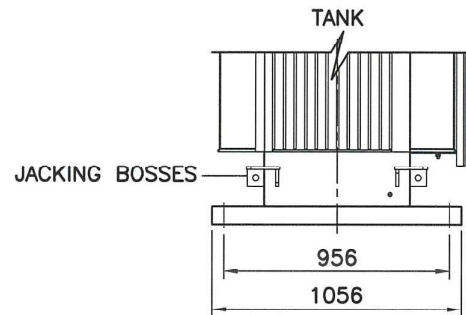
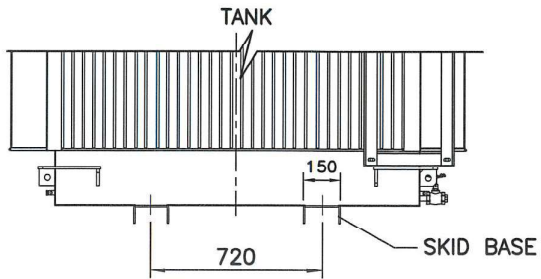


18	LV. CABLE BOX	1
17	HV. CABLE BOX	1
16	TERMINAL BOX	1
15	WINDING TEMPERATURE INDICATOR	1
14	TERMINAL CT. BOX	1
13	PRESSURE SAFETY VALVE	1
12	OIL LEVEL INDICATOR	1
11	EARTH TERMINAL	2
10	SKID BASE	2
9	OIL SAMPLING AND DRAIN VALVE W/PLUG	1
8	CORRUGATED TANK	1
7	NAMEPLATE W/CONNECTION DIAGRAM	1
6	TRANSFORMERS AND PROTECTION(GAS,PRESSURE AND TEMPERATURE PROTECTION)	1
5	LIFTING EYES FOR LIFTING TRANSFORMER	2
4	OIL FILLING PIPE	1
3	TAP CHANGER	1
2	LV. BUSHING W/TERMINAL CONNECTOR	4
1	HV. PLUG IN	3
No.	DESCRIPTION	Qty.

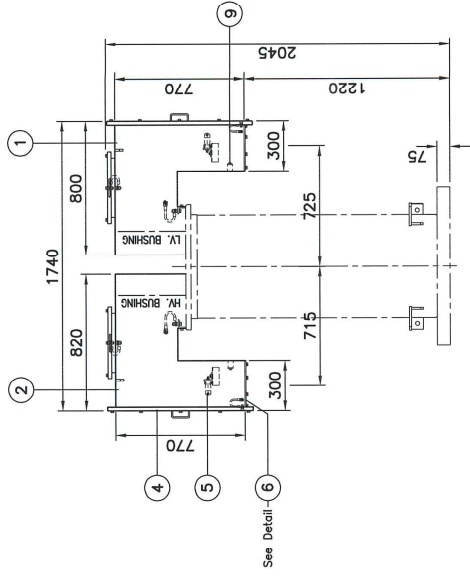
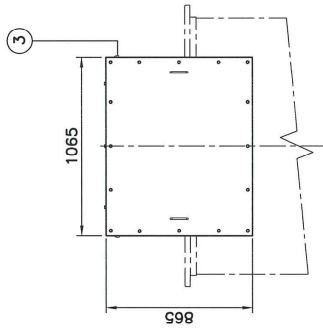
Dimension in millimetres		Oil (L)	
H	L	W	Total wt.(Kgs)
2045	Δ1960	1740	4000
DESIGN NO. 5341001128		S/O NO. A1640015	
NAME		TITLE:	
DRN. BY I.TN 23/02/2021		OUTLINE DRAWING	
CHK. BY <i>[Signature]</i>		Tr. 1000 kVA, 3 Ph. Dyn11	
APP. BY K.THAWORN		11000 - 415/240 V.	
		TYPE: HERMETICALLY SEALED TANK	
		EFF. DATE: 24 FEB 2021	
		Symbol ISO	
		Dimension in mm.	
		SCALE 1 : 30	
		CHAPTER 1	
		PAGE 1	
		DWG. NO. A21-0053	
		REV. 1	

Note : Both transformer and cable box are painted with color code POLYURETHANE STORM GREY N42
 : Total thickness not less than 100 microns
 : Transformer is filled with Less flammable oil
 LESS FLAMMABLE FR3

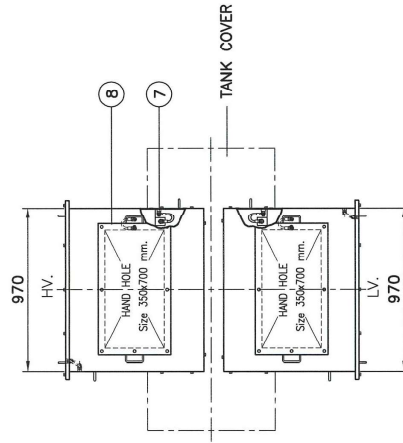
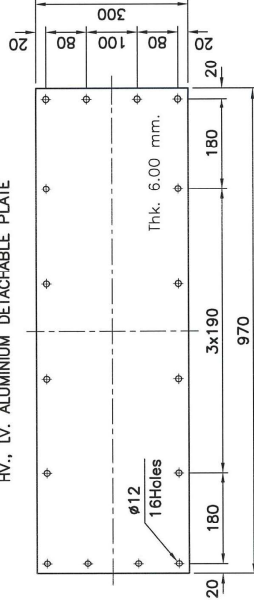
LEISTUNG LEISTUNG ENERGIE
 ESTABLISHED 1913



	NAME	TITLE:	EFF. DATE:
DRN. BY	I.TN 23/02/2021	TRANSFORMER BASE	24 FEB 2021
CHK. BY	<i>[Signature]</i>		Symbol ISO Dimension in mm. CHAPTER 2
APP. BY	K.THAWORN		SCALE N.T.S PAGE 1
	LEISTUNG energic	LEISTUNG ENERGIE	DWG. NO. A21-0053 REV. 1
		A 4	



DETAIL
HV, LV ALUMINIUM DETACHABLE PLATE



Note : Both transformer and cable box are painted with
color code POLYURETHANE STORM GREY M42
: Material-Steel(Thickness 2.0 mm.)

NO.	DESCRIPTION	QTY.
9	GROUNDING BAR	2
8	HAND HOLE COVER	2
7	EARTH TERMINAL	6
6	ALUMINIUM DETACHABLE PLATE	2
5	BRACKET FOR FIXING THE CABLE	7
4	WINDOW	2
3	LIFTING LUGS FOR CABLE BOX	4
2	LV. CABLE BOX	1
1	HV. CABLE BOX	1

NAME	TITLE :
DRN. BY I.TN 23/02/2021	HV, LV. CABLE BOX
CHK. BY <i>Bp. 201</i>	
APP. BY K.TAWORN	

EFF. DATE: 24 FEB 2021	Symbol ISO Dimension in mm.	CHAPTER 3
SCALE 1 : 30	DWG. NO. A21-0053	PAGE 1
		REV. 1